

Flexible serial I/O with multiple application modes:

Serial I/O multiplexer - transfer I/O via RS485 multidrop using WIBNet exception reporting protocol.

Expansion I/O for ELPRO 905U wireless I/O units - up to 31 x 115S units can be connected to each wireless unit via RS485.

Modbus I/O - up to 99 x 115S units can be connected to each Modbus Master.

I/O interface for ELPRO 802.11 wireless Ethernet and Serial Server units - up to 99 115S units per wireless units.

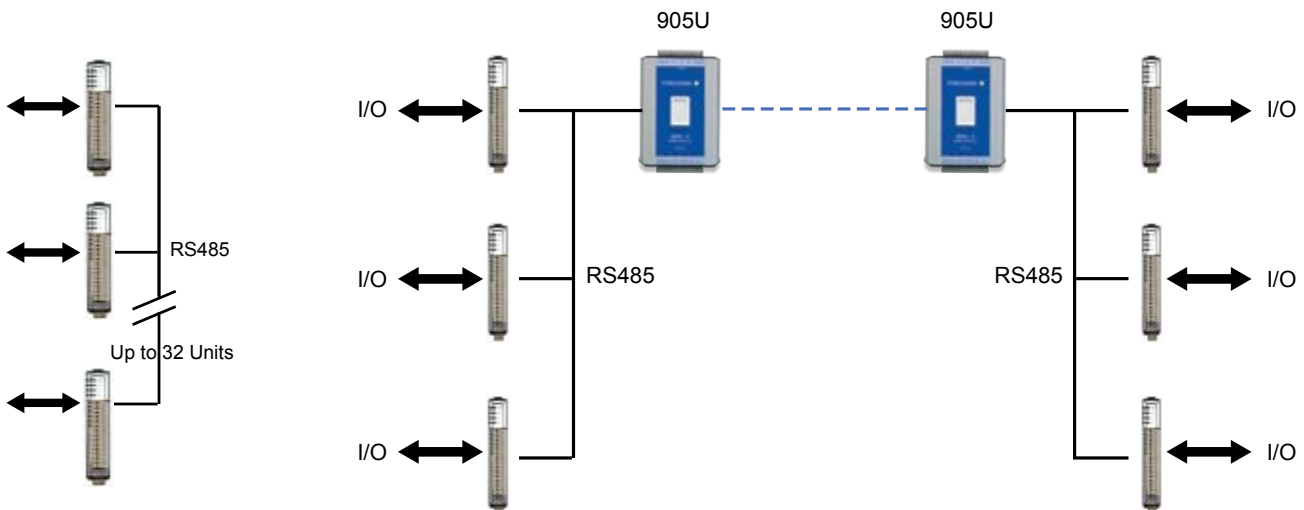
Features:

- Selectable communications protocol - Modbus (RTU and ASCII) or WIBNet (exception reporting, peer to peer with security encryption).
- Three I/O versions available:

115S model	115S-11	115S-12	115S-13
Digital input/outputs	16	8	8
Analog inputs	0	4/8	0
Analog outputs	0	0	8
Pulse inputs	4	0	0
Pulse outputs	8	8	8



- Each model has 8 (115S-11 has 16) digital I/O channels - each channel can be used as a volt free contact input or FET output (30VDC, 0.2A maximum)
- Each DIO channel can function as a pulse output to a maximum 15Hz with the first four DIO/pulse input channels on the 115S-11 to a maximum pulse rate of 1KHz. Pulse inputs provide both totalized count and pulse rate as separate values.
- Configurable analog inputs - 0-20/4-20mA; 0-10V. Selectable as 8 single terminal inputs (commoned) or 4 dual terminal 'floating' inputs (115S-12).
- Analog outputs are commoned with selectable 'supply' or 'sink' connections (115S-13).
- Each analog input has a high/low set point to determine a set-point status.
- Field test and display I/O inputs and/or force outputs, monitor and confirm communications and configure units with user friendly configuration software.



SPECIFICATIONS

Specifications - 115S Serial I/O Units

General

Temperature -40 to +60 degC
(-40 to 140 degF).

Humidity 0-99% RH

EMC FCC Part 15, AS3548, 89/336/EEC

CSA Class 1 Div 2 hazardous areas (USA/Canada)

Housing - high density thermo-plastic

5.91" x 7.09" x 1.38" (150 X 180 x 35mm) with DIN rail mounting.

Removable terminals up to 12 gauge (2.5 sqmm) wires.

LED indication for power supply, processor OK, serial TX and RX,digital I/O.

Inputs and Outputs

Digital Inputs:

Suitable for voltage free contacts or NPN transistor, contact wetting current 5mA, inputs are surge protected:

115S -11: up to 16 selectable I/O

115S -12 & -13: up to 8 selectable I/O

Digital Outputs:

FET outputs, 30VDC 200mA

115S -11 up to 16 selectable I/O

115S -12 ,-13 up to 8 selectable I/O

Analog Inputs:

"Floating" differential inputs, common mode voltage 27V, 24VDC for powering external loops provided, digital filtering 1 sec, 0-20mA/0-10V resolution 12 bit, accuracy 0.1%

115S -12 - 8 input channels, selectable as 4 dual-terminal floating inputs or 8 single-terminal commoned inputs.

Analog Output

Selectable as current/voltage source or current sink to common, 20 VDC for powering external loops provided, max loop resistance 1000 ohms, 0 - 20mA/0 - 10V, 12 bit, accuracy 0.1%. 115S - 13 - 8 channels, 160mA maximum total current

Pulse Inputs:

Specifications as per digital inputs.

Max pulse rate 1kHz, pulse width min 0.5ms

115S - 11 - 4 inputs (DIO1-4)

Pulse Outputs:

Specifications as per digital outputs.

Max pulse rate 15.625Hz, pulse width min 32ms

115S -11,-12,-13 8 outputs (DIO1-8)

Power Supply

10.8 - 30 VDC, over-voltage and reverse power protected.

Internal monitoring of supply voltage. Values may be transmitted to remote modules for monitoring. Internal DC/DC converter provides 24VDC, 250mA for 115S-12: 20VDC, 160mA for 115S-13) for analog loop supply.

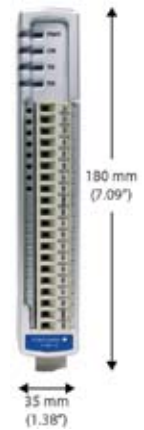
Serial Port

RS485 serial port configurable up to 115.2Kb/s, 7/8 data bits, n/e/o parity, 1 / 2 stopbits. RS232 configuration port 9pin DB9 female connector, 9.6Kb/s, 8/n/1 RS485 max cable distance 2000 m terminal connections.

Weight

0.359 grams

Specifications subject to change without notice



vigilantplant.[®]

SEE
CLEARLY

KNOW
IN ADVANCE

ACT
WITH AGILITY

The clear path to operational excellence

VigilantPlant is Yokogawa's automation concept for safe, reliable, and profitable plant operations. VigilantPlant aims to enable an ongoing state of Operational Excellence where plant personnel are watchful and attentive, well-informed, and ready to take actions that optimize plant and business performance.

Yokogawa Corporation of America

North America

2 Dart Road, Newnan, GA 30265-1094, USA
Phone: 800-258-2552 Fax: 770-254-0928

12530 West Airport Blvd., Sugar Land, TX 77478
Phone: 281-340-3800 Fax: 281-340-3838

Mexico

Urbina No. 18
Fracc. Parque Industrial Naucalpan
Naucalpan de Juarez, Estado de Mexico, CP 53489
Phone: (55) 5955-7400 Fax: (55) 5955-7417

Yokogawa Canada, Inc.

Bay 4, 11133 40th Street SE, Calgary, AB Canada T2C2Z4
Phone: 403-258-2681 Fax: 403-258-0182

<http://www.yokogawa.com/us/>

Represented by: